

Two-Way Connector Clamps

Aluminum, Unequal Bore Dimensions d_1 / d_2

SPECIFICATION

Identification No.

No. **2**: With 2 stainless steel socket cap screws DIN 912

Aluminum

- Powder coated
Black, RAL 9005, textured finish **SW**
- Plain, matte shot-blasted **BL**

Socket cap screws DIN 912

Stainless steel AISI 304

Hex nuts DIN 985

Stainless steel AISI 304

Self-locking via polyamide ring



INFORMATION

The clamping bores of two-way connector clamps GN 133 are mechanically machined and designed for construction tubes GN 990 (see page 1902) or DIN 2391, DIN 2395 and DIN 2462.

At the screw locations z_1 / z_2 , the socket cap screws reduce the bore cross-section for clamping.

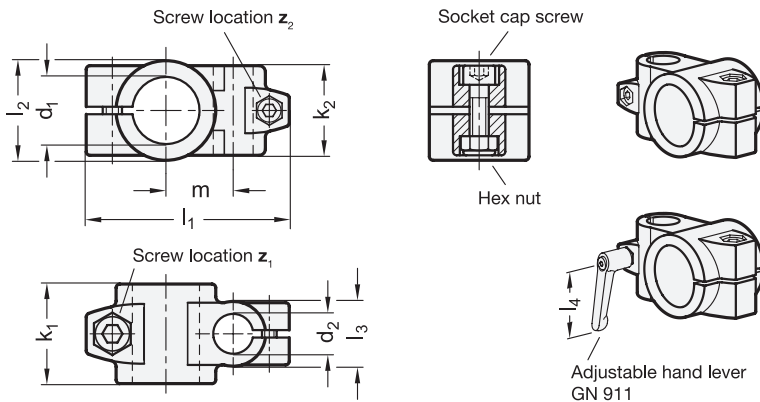
For clamping without tools, the socket cap screws can be replaced by the adjustable hand levers GN 911 (see page 1874) listed in the table as accessories.

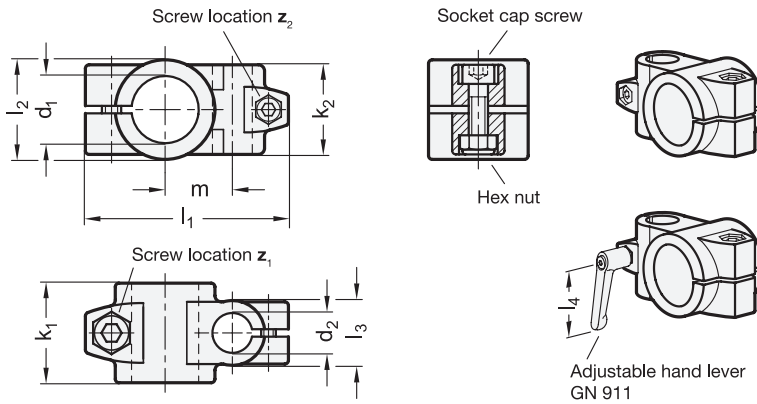
ACCESSORY

- Adjustable Hand Levers GN 911 (see page 1874)

TECHNICAL INFORMATION

- Stainless Steel Characteristics (see page A26)





* Complete with

SW **BL**
RAL9005 Plain

GN 133

Description	d1 Bore	d2 Bore	k1 Clamping length	k2 Clamping length	l1	l2	l3	m	z1 Screw location	z2 Screw location	Accessory Recom. hand lever GN 911 for z1 l4	Accessory Recom. hand lever GN 911 for z2 l4	⚖
GN 133-B20-B10-2-*	B 20	B 10	40	36	81.5	40	26	27	M8-25	M6-20	-	63	177
GN 133-B20-B12-2-*	B 20	B 12	40	36	81.5	40	26	27	M8-25	M6-20	-	63	180
GN 133-B20-B14-2-*	B 20	B 14	40	36	81.5	40	26	27	M8-25	M6-20	-	63	174
GN 133-B20-B15-2-*	B 20	B 15	40	36	81.5	40	26	27	M8-25	M6-20	-	63	153
GN 133-B20-B16-2-*	B 20	B 16	40	36	81.5	40	26	27	M8-25	M6-20	-	63	170
GN 133-B20-B18-2-*	B 20	B 18	40	36	81.5	40	26	27	M8-25	M6-20	-	63	170
GN 133-B25-B10-2-*	B 25	B 10	40	36	81.5	40	26	27	M8-25	M6-20	63 78	63	177
GN 133-B25-B12-2-*	B 25	B 12	40	36	81.5	40	26	27	M8-25	M6-20	63 78	63	159
GN 133-B25-B14-2-*	B 25	B 14	40	36	81.5	40	26	27	M8-25	M6-20	63 78	63	184
GN 133-B25-B15-2-*	B 25	B 15	40	36	81.5	40	26	27	M8-25	M6-20	63 78	63	132
GN 133-B25-B16-2-*	B 25	B 16	40	36	81.5	40	26	27	M8-25	M6-20	63 78	63	150
GN 133-B25-B18-2-*	B 25	B 18	40	36	81.5	40	26	27	M8-25	M6-20	63 78	63	147
GN 133-B30-B10-2-*	B 30	B 10	40	36	81.5	40	26	27	M8-25	M6-20	63 78	63	177
GN 133-B30-B12-2-*	B 30	B 12	40	36	81.5	40	26	27	M8-25	M6-20	63 78	63	135
GN 133-B30-B14-2-*	B 30	B 14	40	36	81.5	40	26	27	M8-25	M6-20	63 78	63	128
GN 133-B30-B15-2-*	B 30	B 15	40	36	81.5	40	26	27	M8-25	M6-20	63 78	63	106
GN 133-B30-B16-2-*	B 30	B 16	40	36	81.5	40	26	27	M8-25	M6-20	63 78	63	128
GN 133-B30-B18-2-*	B 30	B 18	40	36	81.5	40	26	27	M8-25	M6-20	63 78	63	136
GN 133-B40-B20-2-*	B 40	B 20	65	59	122	65	40	45	M10-50	M8-25	92 -	78	640
GN 133-B40-B25-2-*	B 40	B 25	65	59	122	65	40	45	M10-50	M8-25	92 -	78	601
GN 133-B40-B30-2-*	B 40	B 30	65	59	122	65	40	45	M10-50	M8-25	92 -	78	570
GN 133-B42-B20-2-*	B 42	B 20	65	59	122	65	40	45	M10-50	M8-25	78 92	78	600
GN 133-B42-B25-2-*	B 42	B 25	65	59	122	65	40	45	M10-50	M8-25	78 92	78	600
GN 133-B42-B30-2-*	B 42	B 30	65	59	122	65	40	45	M10-50	M8-25	78 92	78	600
GN 133-B45-B20-2-*	B 45	B 20	65	59	122	65	40	45	M10-50	M8-25	78 92	78	510
GN 133-B45-B25-2-*	B 45	B 25	65	59	122	65	40	45	M10-50	M8-25	78 92	78	510
GN 133-B45-B30-2-*	B 45	B 30	65	59	122	65	40	45	M10-50	M8-25	78 92	78	510
GN 133-B48-B20-2-*	B 48	B 20	65	59	122	65	40	45	M10-50	M8-25	78 92	78	475
GN 133-B48-B25-2-*	B 48	B 25	65	59	122	65	40	45	M10-50	M8-25	78 92	78	475
GN 133-B48-B30-2-*	B 48	B 30	65	59	122	65	40	45	M10-50	M8-25	78 92	78	475
GN 133-B50-B20-2-*	B 50	B 20	65	59	122	65	40	45	M10-50	M8-25	78 92	78	505
GN 133-B50-B25-2-*	B 50	B 25	65	59	122	65	40	45	M10-50	M8-25	78 92	78	480
GN 133-B50-B30-2-*	B 50	B 30	65	59	122	65	40	45	M10-50	M8-25	78 92	78	450

Weight SW

